

VARIABLE ACTION BUTTON RUGGED DISPLAY

This version of the (VAB) is for a training environment designed and manufactured specifically for the US Navy's land based training centers. It's compact structure and standard electrical connectors make installation and removal extremely simple.



STANDARD FEATURES AND BENEFITS

- 6.5" Flat Panel LCD Color Display
- Each Button Capable of Seven Characters by Three Lines of Text
- Long Life, High Efficiency, Dimmable LED Backlighting
- IP Over USB Interface
- Designed for Easy Installation and Removal
- 36 Buttons Attributes are Configured Through RPC Call, X11R6 or Windows™ Compatible
- 12 Feedback Set-Up Buttons, Upper Two Rows

ORDERING INFORMATION

6171TN Flat Panel VAB with Touch Screen 6.5"

6171TN SPECIFICATIONS

MATERIALS

Enclosure Aluminum 6061-T6, Powder Coated

Design Desktop

PHYSICAL

6.5" 7.70" H x 5.90" W x 2.40" D x 5.30" VH x 4.00" VW

Weight 3 Lbs.

ENVIRONMENTAL

Operating Temperature 0° to 40° C / 32° to 104° F

Storage Temperature -40° to 70° C / -40° to 158° F

Relative Humidity 5 to 95% Non-Condensing

ELECTRICAL

Voltage 5 VDC

Power (Max.) 15W

FLAT PANEL SPECIFICATIONS

Size 6.5"

Maximum Resolution 640x480

FLAT PANEL SPECIFICATIONS

Viewing Angle
(Typical H x Right, Left) 80°x80°
(Typical V x Up, Down) 80°x60°

Brightness (Standard) 400 nits

Backlight LED

TOUCH SCREEN BUTTON SPECIFICATIONS

Resistive Touch Screen No Tactile Feedback

Characters Per Line 7

No. of Lines Per Button 3

Button (Matrix) Size 0.6" Square

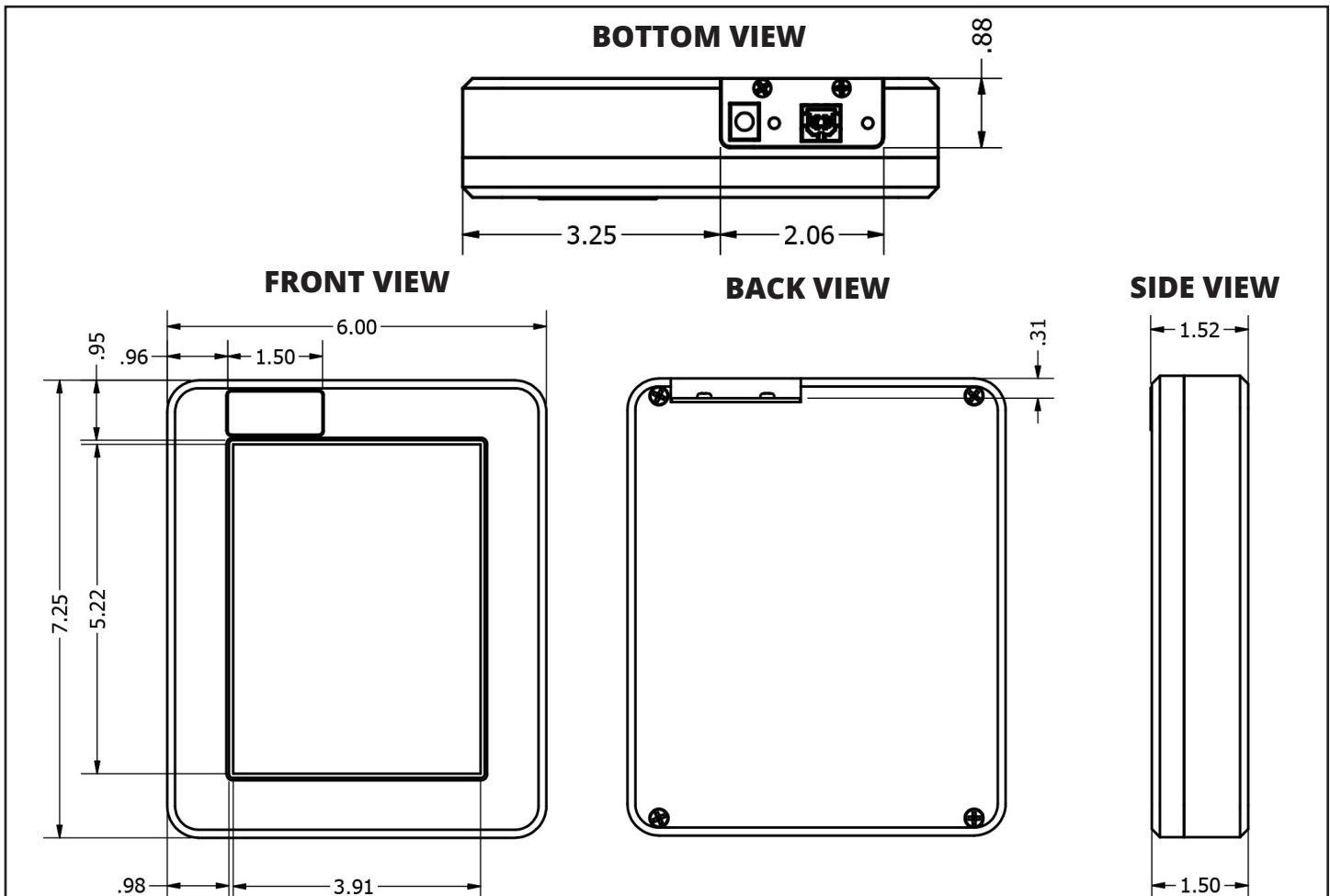
Button Spacing 0.63"

Life Expectancy (touch screen) 1 Million Presses

Actuation Force 100g

COMMUNICATION PROTOCOL

Custom RPC calls through IP over USB X11R6 and Windows™ compatible



* Specifications are subject to change without notice.